

Introduction

The Trio pedestal offers a secure and robust solution for mounting the Trio range of charge points. The stand is designed for supply cable routing from the base inside the stand with an exit point below the Trio where there is a protective plate covering the cable routing into the base of the Trio.

The Trio pedestal is the perfect solution when wall mounting or existing infrastructure to mount the Trio are not available.

Specifications

Stand max. height	1.5m
Column Dimensions	160 x 80mm
Base plate dimensions	200 x 240mm
Weight	27kg

The pedestal is 5mm steel power coated with options on colour and finish when ordered in quantity. Standard stock colour is RAL7046

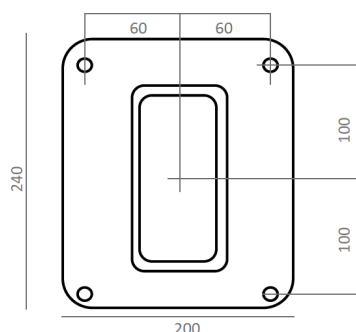
Installation

The Trio is mounted to the pedestal with 4 fixing points using M6 screws provided with the pedestal. The cable protective cover is fitted with 2 M6 security screws.

The pedestal has a 10mm base plate welded to column, this should be attached to the ground via four M10 150mm or longer concrete anchor bolts.

Once fitted in position black nylon dome cover caps are recommended to protect the bolt heads and provide a neat finish. During installation ensure the pedestal is fitted on a level base such that the column is vertical and confirmed with spirit levels in both axes.

Base Dimensions



Contact us

If you have any questions regarding Metric EV Charging solutions or this Trio product please contact our customer support team or our EV Sales Manager

T: +44 (0)1793 647800

E: sales@metricgroup.co.uk

