

The logo features the word "metric" in a blue, lowercase, sans-serif font, followed by a blue rounded rectangle containing a white speech bubble icon and the word "Micro" in a white, sans-serif font.

Smart Payment Terminal

The Micro terminal delivers the latest cashless smart payment technology in a small, robust form factor. Not just for parking, the Micro can provide a remote payment solution for many services.

The logo consists of the word "metric" in blue, followed by a red rounded rectangle containing a white speech bubble icon and the words "PAYMENT SERVICES" in white, uppercase, sans-serif font.The logo consists of the word "metric" in blue, followed by a blue rounded rectangle containing a white speech bubble icon and the words "PARKING SYSTEMS" in white, uppercase, sans-serif font.The logo consists of the word "metric" in blue, followed by a green rounded rectangle containing a white speech bubble icon and the words "EV CHARGING" in white, uppercase, sans-serif font.

Cashless payment terminals for parking, charging and more

Metric Group terminals have already changed the face of parking payment solutions with options for cashless, card, chip and QR/Bar code payment. The Micro terminal takes that evolution to the next stage, by providing an easy to use cashless payment terminal for any unattended service.

SMARTER PAYMENT TERMINALS FOR SMART MARKETS

The Micro payment terminal has been designed with the modern user in mind, with SMART payment features for use throughout the world. Its compact form factor means it will easily integrate with your current service technology in any indoor, or outdoor environment, on or off-street. The Micro mounts easily to existing poles or walls, without the need for additional infrastructure or can be

mounted on a free standing pedestal. Designed as a cashless terminal, the Micro, does not require extensive security measures for cash boxes etc. and can be integrated with 3rd party systems to allow for fast and secure cashless payment via contactless or QR code technologies. Customised Software integration will allow payment to be taken for almost any product or service.

KEY FEATURES

The Micro is a versatile payment terminal

and can not only be used for parking and EV charging payments, it can be used for many other self serve applications, including:

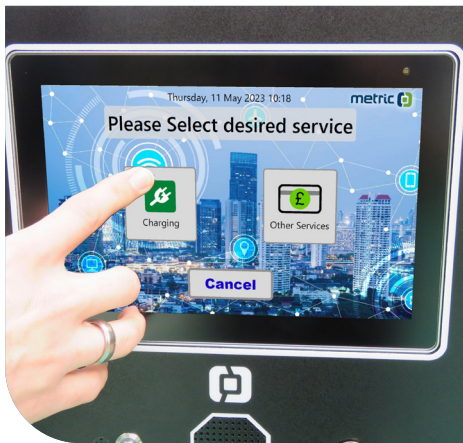
- Pay-by-Space parking /EV charging
- Pay-by-Plate parking / EV charging
- Barrier controlled payments
- ANPR integrated payments
- Leisure facility payments
- Transport ticketing solutions
- Locker box payment solutions
- Membership payment solutions
- Government Services

The programmable nature of the touchscreen, and the integrated payment software, means that the terminal can be used as a payment terminal much as one might use a self checkout in a supermarket. This could combine parking and charging services with payments for other services relevant to the location of the terminal or the individual paying. I.e: membership of an EV charging service, in order to use their branded chargers, or paying for entry into theme parks or leisure facilities while paying for parking in the car park.

PAYMENT OPTIONS

The Micro offers the latest EMV/PCI compliant payment options for contactless payments, and supports mobile contactless bank payment technology (e.g. Apple Pay, Google Pay, etc). The terminal can also be integrated with voucher scanning. The barcode scanner will accept both 1D and 2D (QR) barcodes either in printed or digital format and can be used for retail, residential or membership schemes to offer free or discounted parking or charging tariffs.





High definition touch screen



QR/Barcode Scanner



Integration for parking, charging and more

SIMPLE EFFECTIVE DESIGN

The simple design of the Micro is complimented by the customisable touch screen. Integration with 3rd parties is provided through APIs to deliver services that guide users through the customer journey, enabling them to make selections and choices that are then paid for via the terminal.

ADVANCED COMMUNICATION

The Micro utilises 4G mobile internet (with 2G fall back where available) to enable remote management via our back office software.

PAYMENT SOLUTIONS

Linked to Metrics Payment Services solution, the Micro can take payments from contactless enabled cards and digital devices using mobile payment platforms.

SECURITY

The robust construction of the Micro ensures the security of the main compartment of the terminal and the electronics within. As a cashless payment terminal there is no requirement for a coin vault or printed tickets. Instead, e-tickets and proof of payment is available via the Metric receipt portal. Data is encrypted to ensure secure communications between the terminal and payment service solutions.

SMART FEATURES FOR SMART CITIES

- The Micro accepts contactless and mobile payment systems like Apple and Google Pay
- The HD touch screen enables additional revenue opportunities
- Integrates with Metrics QR Payment application for parking and charging.

Go cashless and contactless with the Micro

MICRO TECHNICAL DATA

Size (HxWxD)

- 480mm x 378mm x 217mm (Inc.Mount Plate)
- Pole Mounted
- Pedestal Mounted
- Wall Mounted

Weight

- 20kg

Display

- 10.1" touch screen - 1280 x 800px
- Adaptive light sensing

Payment Options

- Contactless

Scanner

- Barcode scanner (QR Codes and vouchers)

Communications

- 4G mobile internet
- LAN

Colours

- Black as standard
- Special colour fascia on request

Protection

- IP54

Outer Case

- Stainless Steel

Power

- 110 / 220 / 240v mains
- 30W Solar Panel
- Low power mode

Operating Voltage

- 12v DC

Intercom

- Intranet
- Internet SIP

Operating Temperature

- -20°C to +60°C

Humidity

- Up to 95% humidity, non-condensing

Heater

- Standard mains only

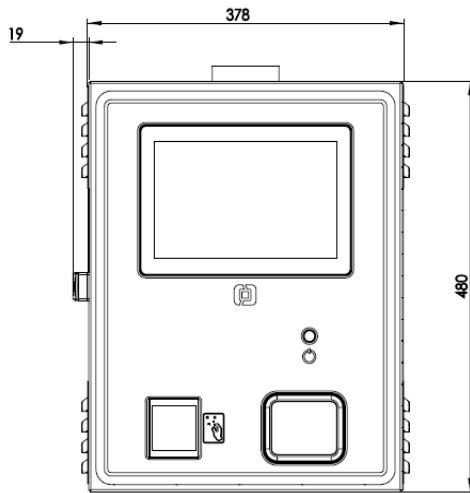
Environment

- 90%+ recyclable
- ROHS and WEEE compliant

UKCA / CE mark

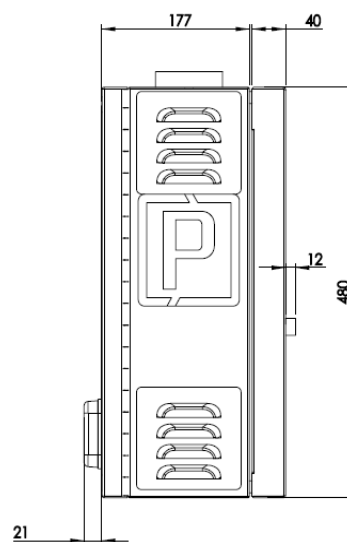
Micro Terminal with Mounting Plate:

Front View



Dimensions for a mains powered machine

Side View



Rear View

